



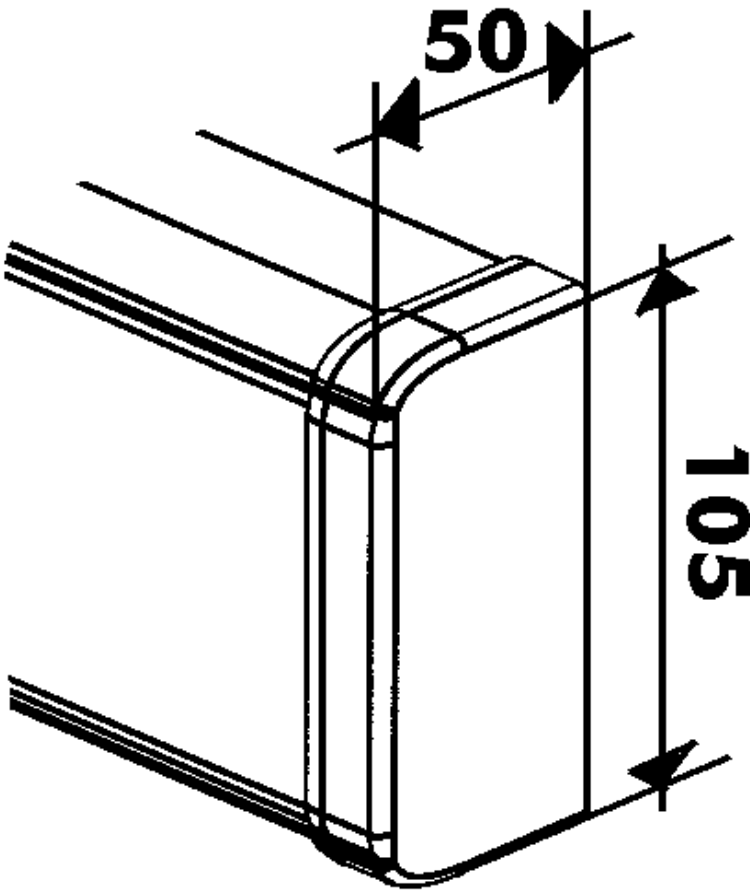
Better Cable Management

SDPVC SERIES SKIRTING DUCT





Manage Cables Better



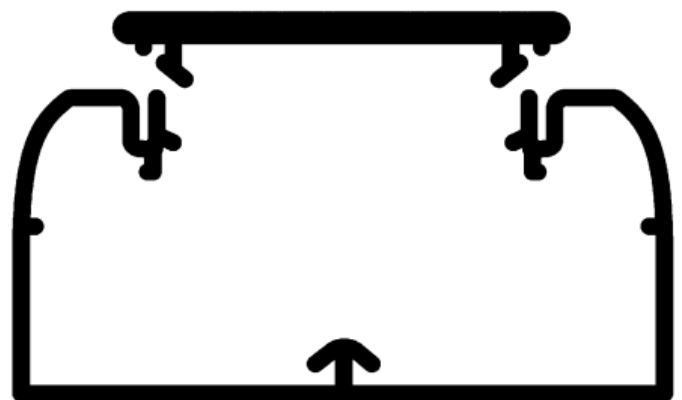
Cableaway's PVC skirting duct range is by far the easiest way for housing and distribution of power and data cabling, with its PVC construction this duct is perfect for schools and areas that a traditional metallic skirting duct can not be used.

Cableaway's 50mm x 105mm PVC skirting duct is best used for the reticulation and mounting of power, Cat 5, Cat 6 and Cat 6A data cabling.

Cableaway's PVC skirting duct is also able to handle Audio and Visual cables using Cableaway's 45 series multimedia outlets making it easier than ever to adapt microphone jacks, HDMI, VGA, component and much more.

FEATURES:

- PVC body
- Moulded blank ends
- Moulded Internal and external corners
- Centre mounting of outlets
- Suitable for CAT 5,6 and 6A data cables
- GPO mounting kit
- Data mounting kit
- Available with a clip in lid section
- Easy installation





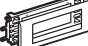



SDPVC Series Skirting Duct
Skirting and fittings

Fully assembled
Mounting of wiring accessories


		Cover width	
		85 mm	
		Cat. No.	

45 SERIES SUPPORTS

2 modules		109 92	
4 modules		109 94	
6 modules		109 96	
8 modules		109 98	



(1) Fitted on trunking
(2) Fitted beside trunking

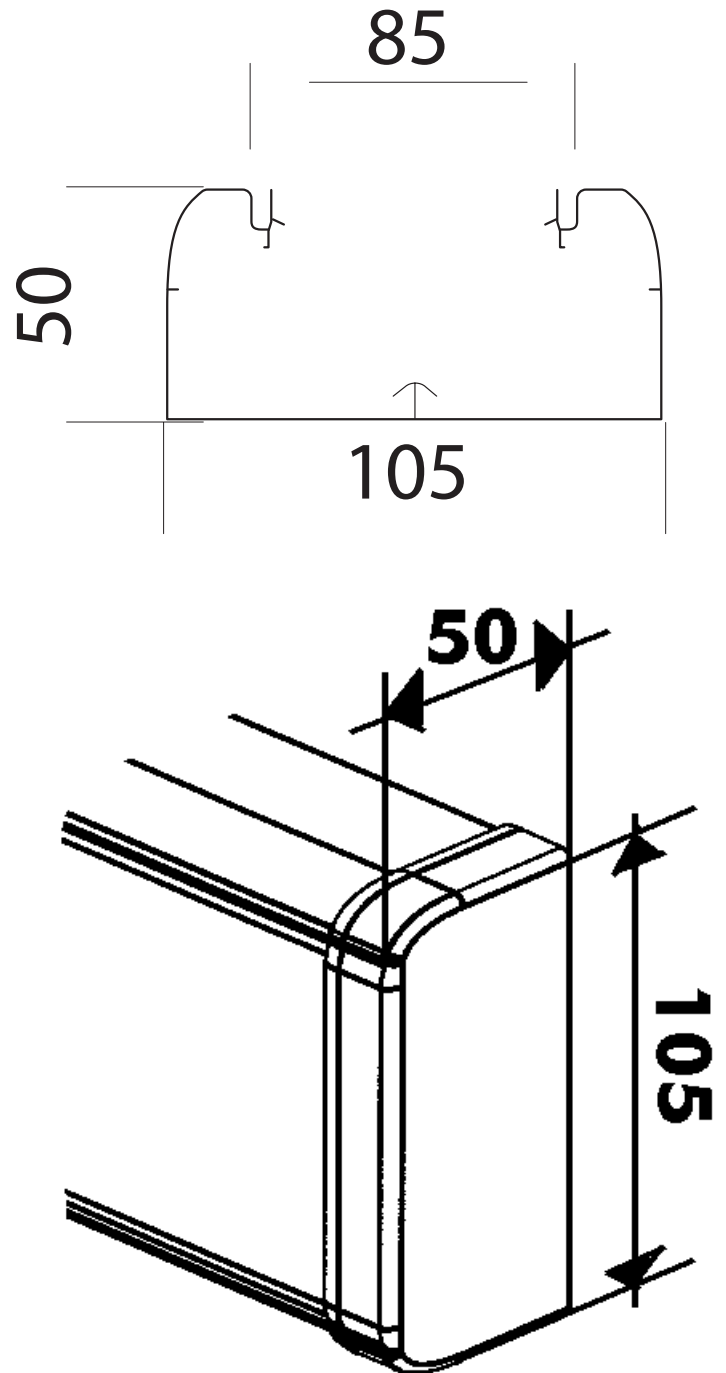
UNIVERSAL SUPPORTS

		Cover width	
		85 mm	
		109 16	

(1) Fitted on trunking
(2) Fitted outside trunking

BACK BOX

		Cover width	
		85 mm	
To mount on universal support		109 17	
To mount on 45 series supports 2 modules		109 27	



Suggested Specification:

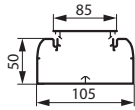
Contractor shall supply Cableaway SDPVC series skirting duct (nominate to include barrier). The skirting duct will be of PVC construction complete with (or without) a divisional barrier to separate power and data. Purpose made mounting kits for power and data shall be used. Skirting duct will be installed to the manufacturers specification.

BETTER CABLE MANAGEMENT

50 x 105 SDPVC Skirting Duct



Pack	Cat.No.	Trunking
		Suitable for a wide range of requirements and applications: – Distribution: large wiring capacity and wide access to the wiring space – Installation: can be used with ranges: Mosaic and Arteor
	white	Bodies Supplied without cover Length 2 m
20	104 22 ⁽¹⁾	50 x 105 mm
24	105 22 ⁽¹⁾	Flexible cover Fits onto the whole trunking including in internal or external angles Full cover width 85 mm Length 2 m
24	105 82	Partition Separation partition for 50 mm deep trunking Length 2 m
20	106 91	Joints Body joint, for aligning bases during installation
20	106 92	Body joint, attached with adhesive (fit at the end of installation)
10	108 02	Cover joint



Pack	Cat.No.	Junctions
5	107 35	Flat junctions For 50 x 105 mm trunkings To tap-off to a 80 mm wide trunking
5	107 36	For 50 x 105 mm trunkings To tap-off to a 105 mm wide trunking equipped with a 85 mm cover

Pack	Cat.No.	Angles and end cap
		Internal and external bends Includes the 2 components for the top and bottom of the trunking on which the flexible cover is fitted
10	106 02	Changeable internal bend, from 85° to 95° for 50 x 105 mm trunking
10	106 22	Changeable external bend, from 60° to 120° for 50 x 105 mm trunking
10	107 85	Flat angle 90° flat angle for 50 x 105 mm trunking
20	107 02	End cap For 50 x 105 mm trunking