



DATA SHEET

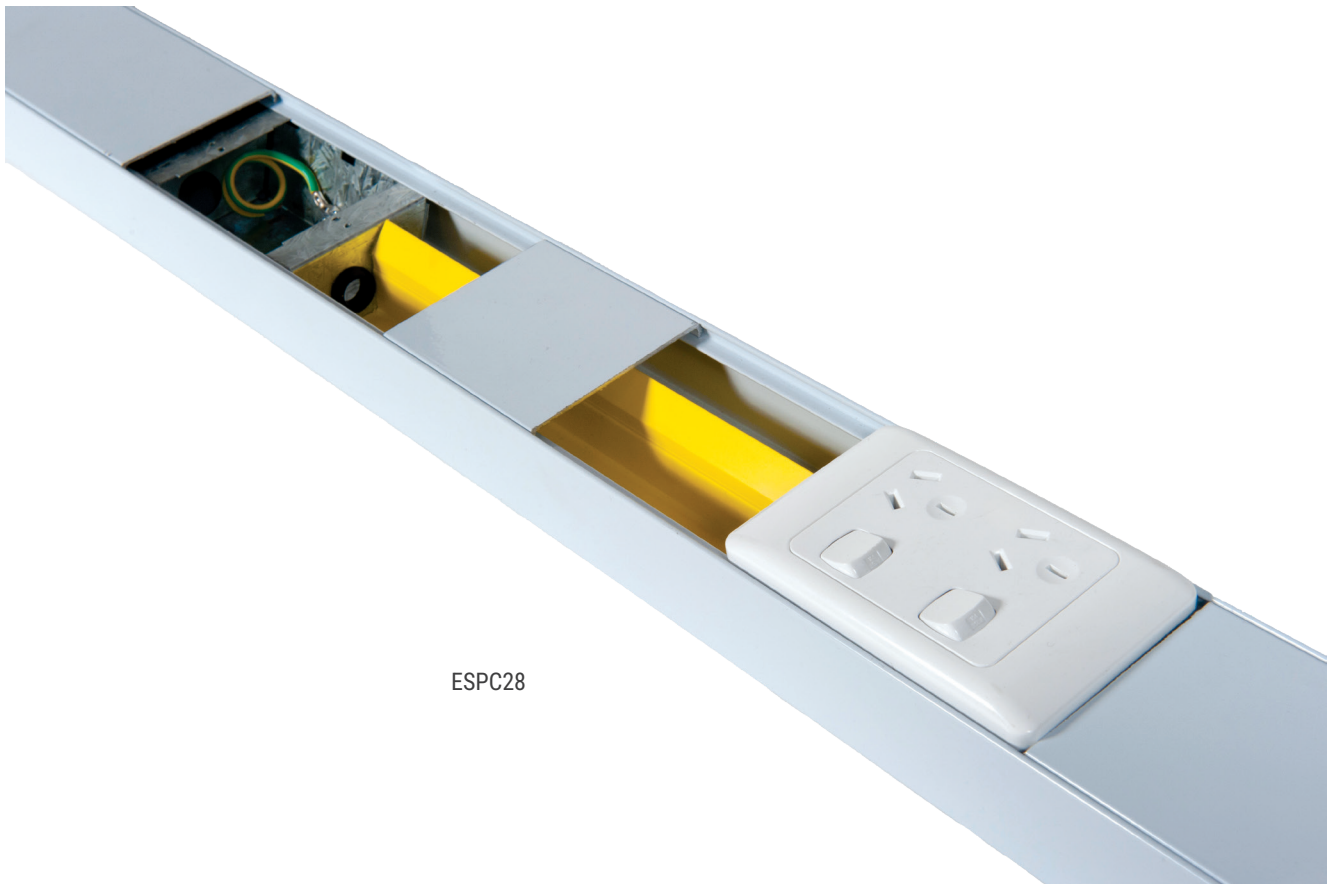
PART NUMBER ESPC28, ESPC33, ESPC40

MODEL DESCRIPTION

SPACEPOLE Series - Vertical Service Columns
&/or Horizontal Service Ducting

PART NUMBER: **ESPC** **XX** - **XX**

LENGTH (METRES)	COLOUR
28 = 2.8m	BL = Black
33 = 3.3m	NA = Natural Anodised
40 = 4.0m	OG = Opal Grey
	OW = Off White

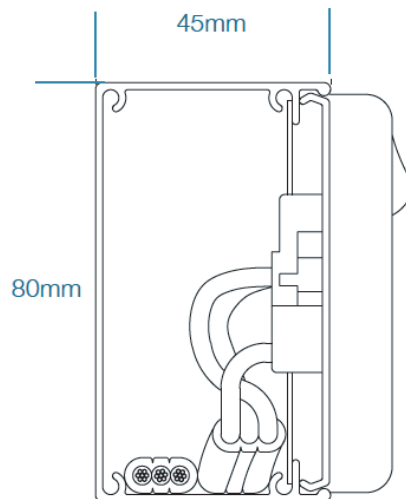


ESPC28

TECHNICAL DATA

PART NUMBER	ESPC28, ESPC33, ESPC40
DESCRIPTION	SPACEPOLE Series - Vertical & Horizontal Service Columns or Ducting Supplied completely boxed with floor mounting kit as well as ceiling (T-Bar) mount, and three standard wall plate accessory mounting kits (extras available)
COLOUR	Available in either Black (BL) Natural Anodised (NA) Opal Grey (OG), Off White (OW) or any standard Powder Coated Finishes (upon request, at extra cost)
DIMENSIONS	ESPC28: W80 x D45 L2800mm, ESPC33: W80 x D45 L3300mm, ESPC40: W80 x D45 L4000mm

DIMENSIONS



Spacepole Dimensional Cross Section
 80 x 45mm Aluminium w Clip-In Lid

ACCESSORIES

- ESPCMB - Accessory Mounting Box (84mm centres)
- ESPCF - Ceiling Mounting Flange
- ESPCCF2 - Double Ceiling Flange (Back to Back Mounting Cover)
- ESPCFB - Concrete/Timber Floor Mounting Kit
- ESPCCK - T-Bar Internal Ceiling Mounting Kit
- AOL45-80JP - Joining Pins (Pack of 4)
- Z21A054 - Plastic 2 Channel Divider (600mm Section)



The Cable Management Group Pty Ltd
Cableaway
 Unit 8, 15 McPherson Road Smeaton Grange NSW 2567
 1300 883 452
www.cableaway.com.au