



BETTER CABLE MANAGEMENT



# SD Series *Skirting Duct*



# SD401502DIV SERIES SKIRTING DUCT



BETTER CABLE MANAGEMENT

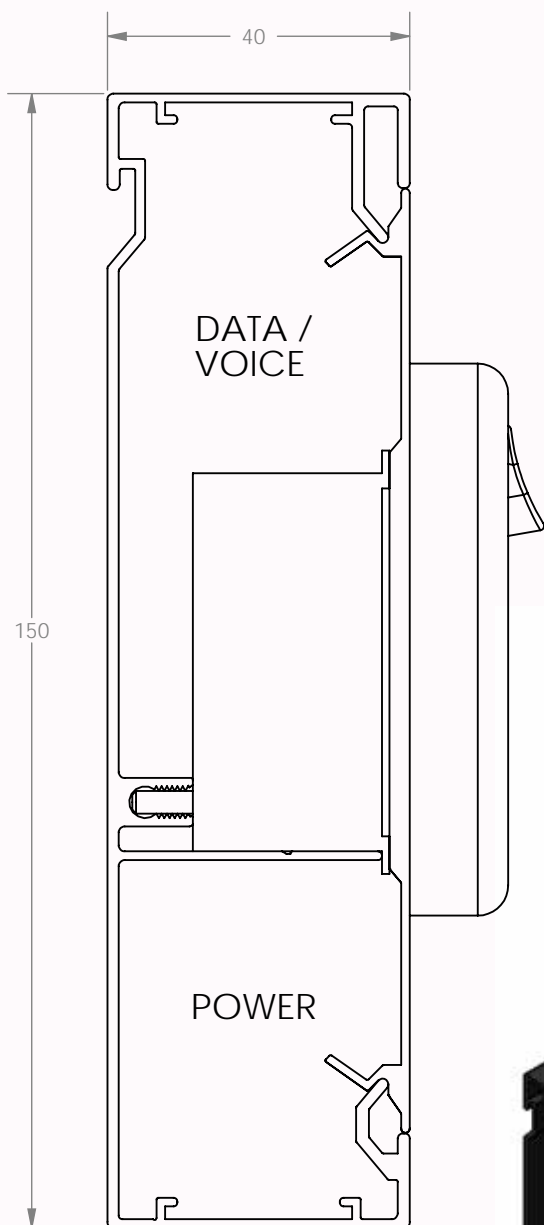
Cableaway's skirting duct range is by far the easiest way for housing and distribution of power and data cabling, from large commercial offices to the small home office.

Cableaway's 40mm x 150mm x 2 division skirting duct is perfect for the reticulation and mounting of power, Cat 5, Cat 6 and Cat 6A data cabling.

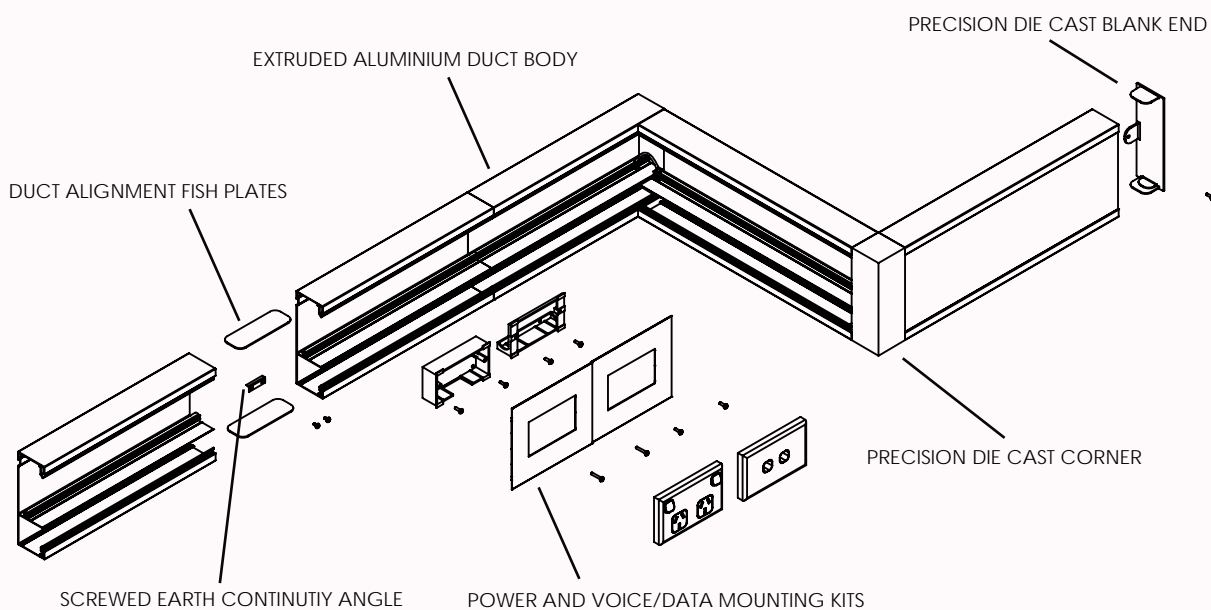
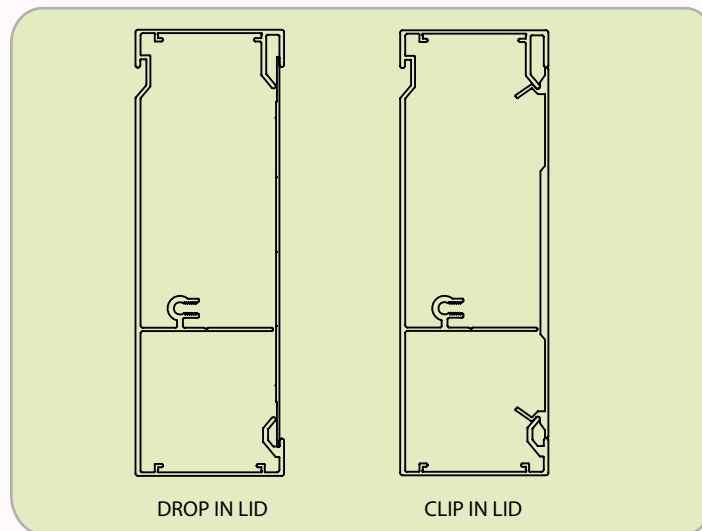
Cableaway's skirting duct is also able to handle Audio and Visual cables using Cableaway's 45 series multimedia outlets making it easier than ever to adapt microphone jacks, HDMI, VGA, component and much more.

## FEATURES:

- Extruded aluminium body
- Diecast blank ends
- Diecast corners
- Centre mounting of outlets
- Suitable for CAT 5,6 and 6A data cables
- GPO mounting kit
- Data mounting kit
- Available with drop in or clip in lid section
- Continuous earthing system
- Easy installation
- Hanging recess (for installation above floor level)



# SD401502DIV SERIES SKIRTING DUCT



## **Suggested Specification:**

Contractor shall supply Cableaway SD series skirting duct (to the nominated size, division and lid type). The skirting duct will be of aluminium construction complete with divisional barrier to separate power and data. Purpose made mounting kits for power and data shall be used. Skirting duct will be installed to the manufacturers specification using Cableaway's continuous earthing system.

### **Description:**

Skirting duct body (2.4m length)  
 Drop in lid section (1.2m length)  
 Clip in lid section (1.2m length)  
 Corner kit  
 Blank end  
 Front cover GPO and data kit (drop in lid)  
 Front cover GPO and data kit (clip in lid)  
 GPO shroud kit  
 Data mounting kit  
 Duct joiner kit (Earth continuance - plate and alignment plates)  
 Internal butt join earthing kit

### **Part Number:**

**SD40150(S)**  
**SDDL150(S)**  
**SDCL150(S)**  
**SDCNR40150(S)**  
**SDBE40150(S)**  
**SDDFC150(S)**  
**SDCFC150(S)**  
**SDPSK**  
**SDDMK**  
**SDJK50**  
**SDIEK**

### **Standard Colours:**

**Anodised Natural**  
**Black**  
**Oyster Grey**  
**Pearl White**

### **(S) Suffix:**

**A**  
**B**  
**O**  
**W**

# SD501502DIV SERIES SKIRTING DUCT

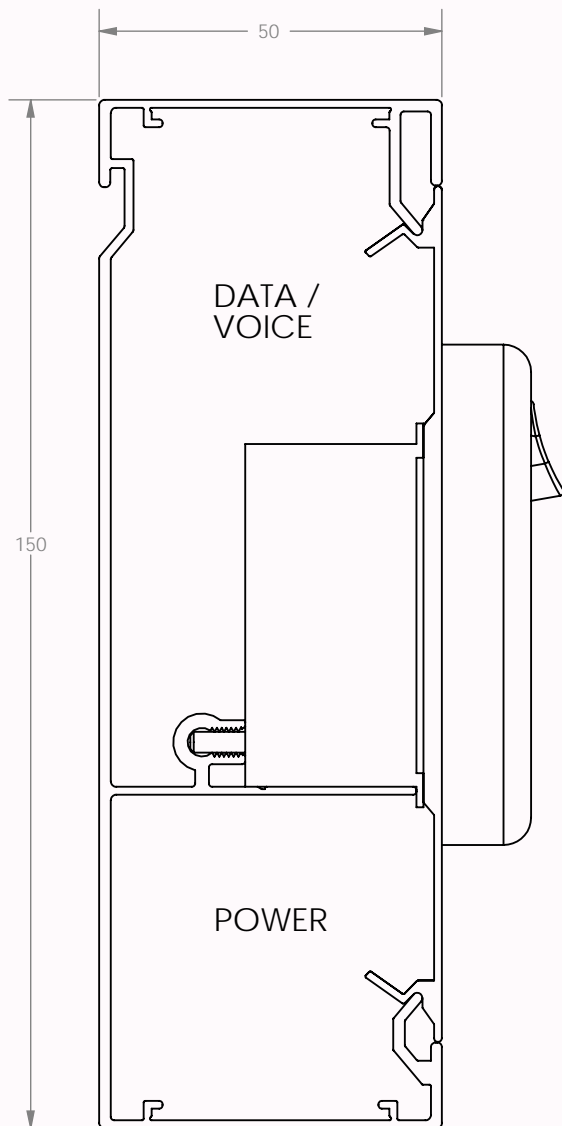


BETTER CABLE MANAGEMENT

Cableaway's skirting duct range is by far the easiest way for housing and distribution of power and data cabling, from large commercial offices to the small home office.

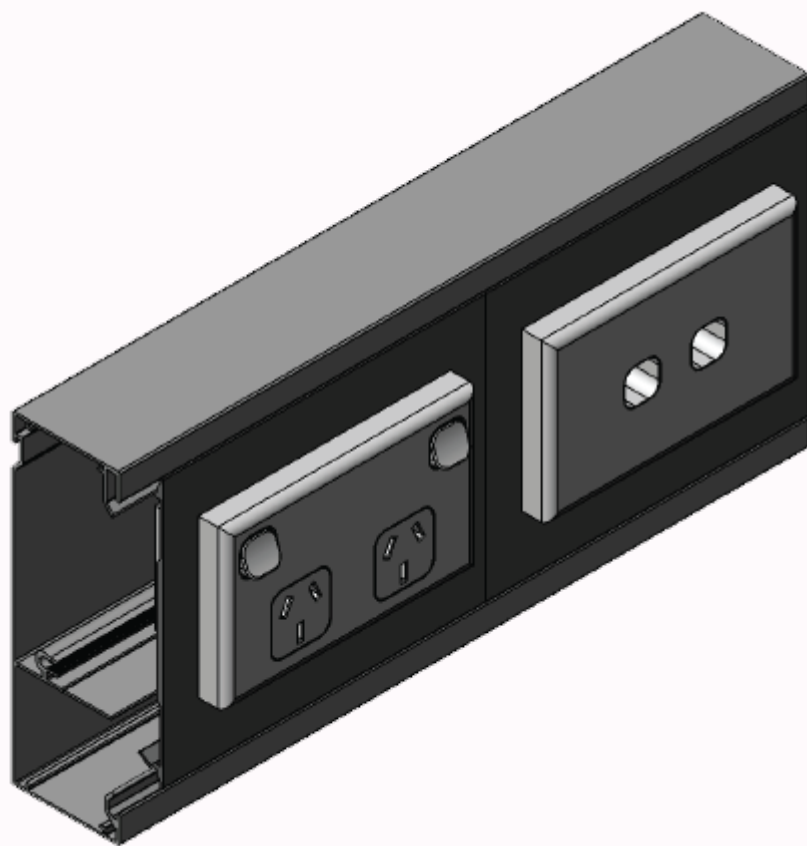
Cableaway's 50mm x 150mm x 2 division skirting duct is perfect for the reticulation and mounting of power, Cat 5, Cat 6 and Cat 6A data cabling.

Cableaway's skirting duct is also able to handle Audio and Visual cables using Cableaway's 45 series multimedia outlets making it easier than ever to adapt microphone jacks, HDMI, VGA, component and much more.

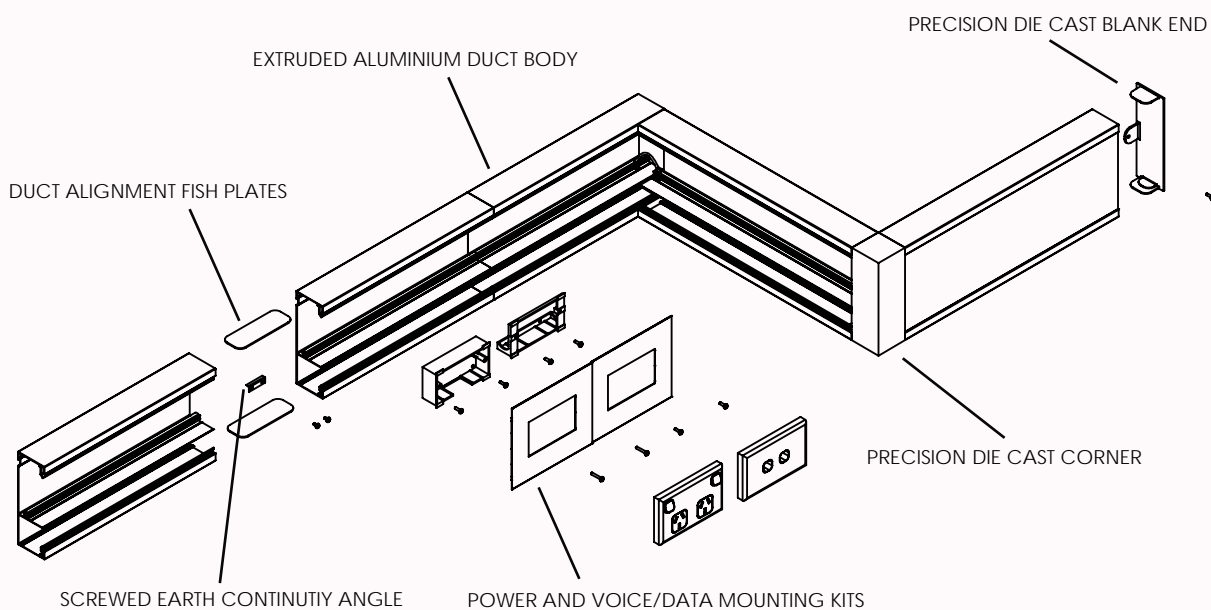
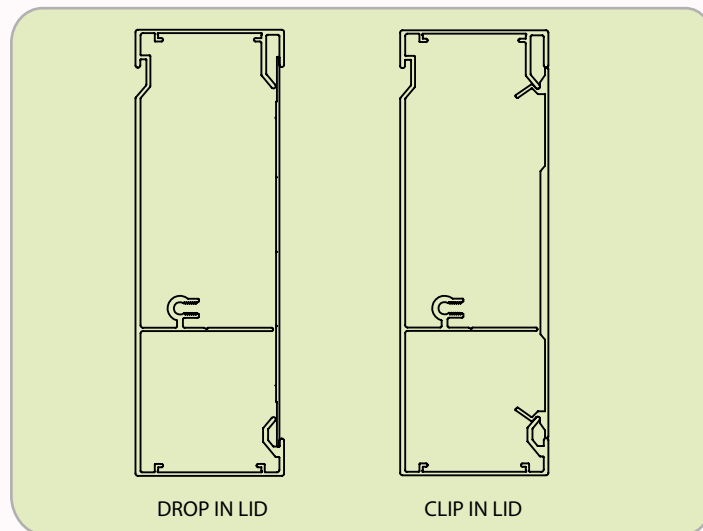


## FEATURES:

- Extruded aluminium body
- Diecast blank ends
- Diecast corners
- Centre mounting of outlets
- Suitable for CAT 5,6 and 6A data cables
- GPO mounting kit
- Data mounting kit
- Available with drop in or clip in lid section
- Continuous earthing system
- Easy installation
- Hanging recess (for installation above floor level)



# SD501502DIV SERIES SKIRTING DUCT



## Suggested Specification:

Contractor shall supply Cableaway SD series skirting duct (to the nominated size, division and lid type). The skirting duct will be of aluminium construction complete with divisional barrier to separate power and data. Purpose made mounting kits for power and data shall be used. Skirting duct will be installed to the manufacturers specification using Cableaway's continuous earthing system.

### Description:

Skirting duct Body (2.4m length)  
 Drop in Lid section (1.2m length)  
 Clip in lid section (1.2m length)  
 Corner kit  
 Blank end  
 Front cover GPO and Data kit (drop in lid)  
 Front cover GPO and Data kit (clip in lid)  
 GPO shroud kit  
 Data shroud kit  
 Earth continuance plate and alignment plates  
 Internal butt join earthing kit

### Part Number:

SD50150(S)  
 SDDL150(S)  
 SDCL150(S)  
 SDCNR50150(S)  
 SDBE50150(S)  
 SDDFC150(S)  
 SDCFC150(S)  
 SDPSK  
 SDDMK  
 SDJK50  
 SDIEK

### Standard Colours:

Anodised Natural  
 Black  
 Pearl White

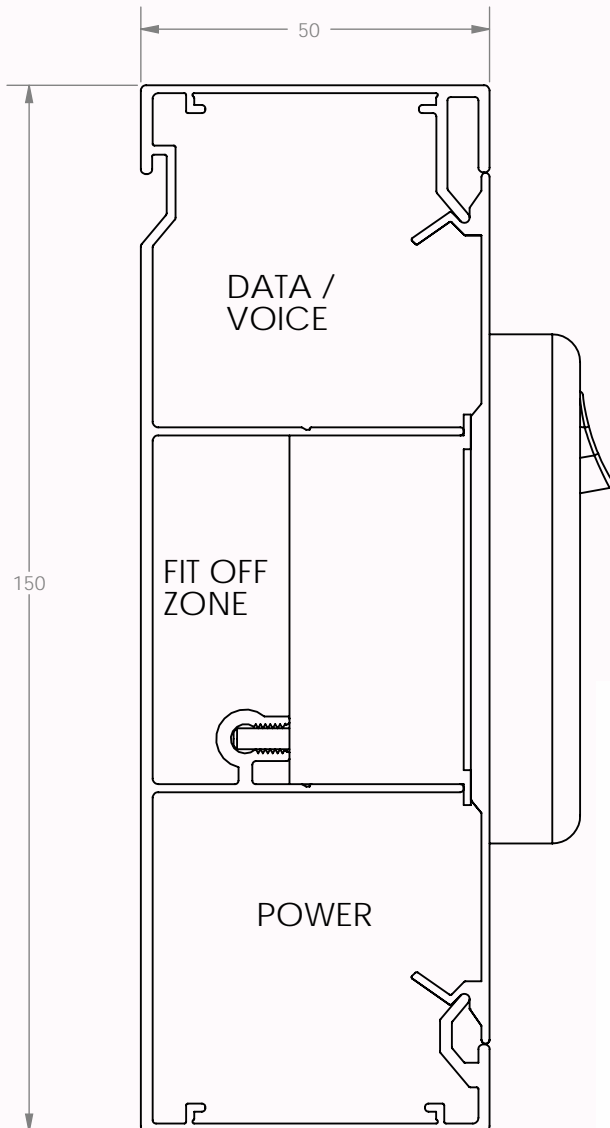
### (S) Suffix:

A  
 B  
 W

# SD501503DIV SERIES SKIRTING DUCT



BETTER CABLE MANAGEMENT



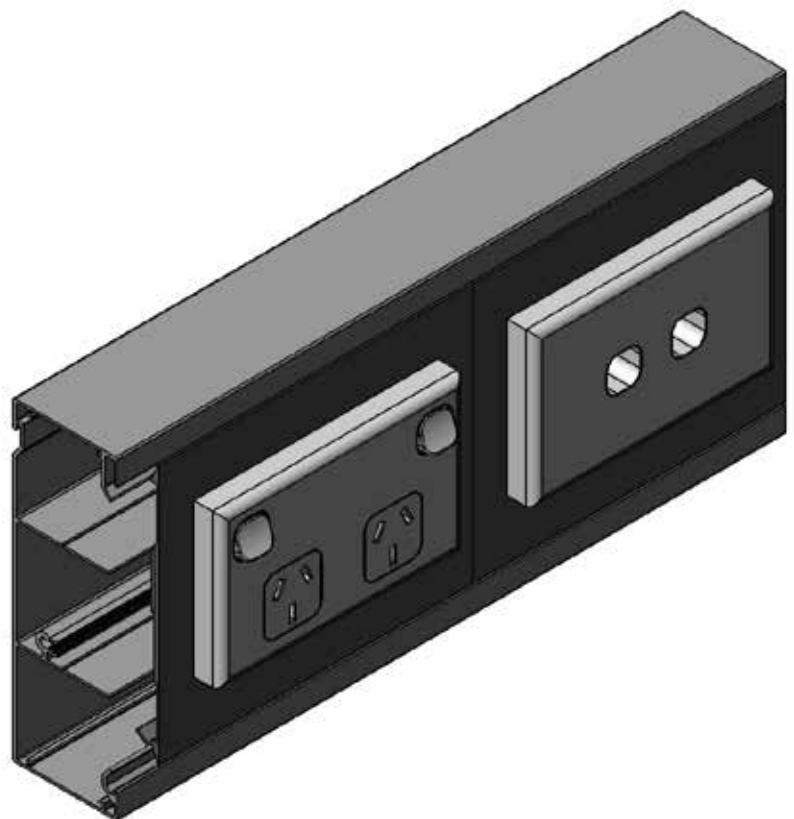
Cableaway's skirting duct range is by far the easiest way for housing and distribution of power and data cabling, from large commercial offices to the small home office.

Cableaway's 50mm x 150mm x 3 division skirting duct is perfect for the reticulation and mounting of power, Cat 5, Cat 6 and Cat 6A data cabling.

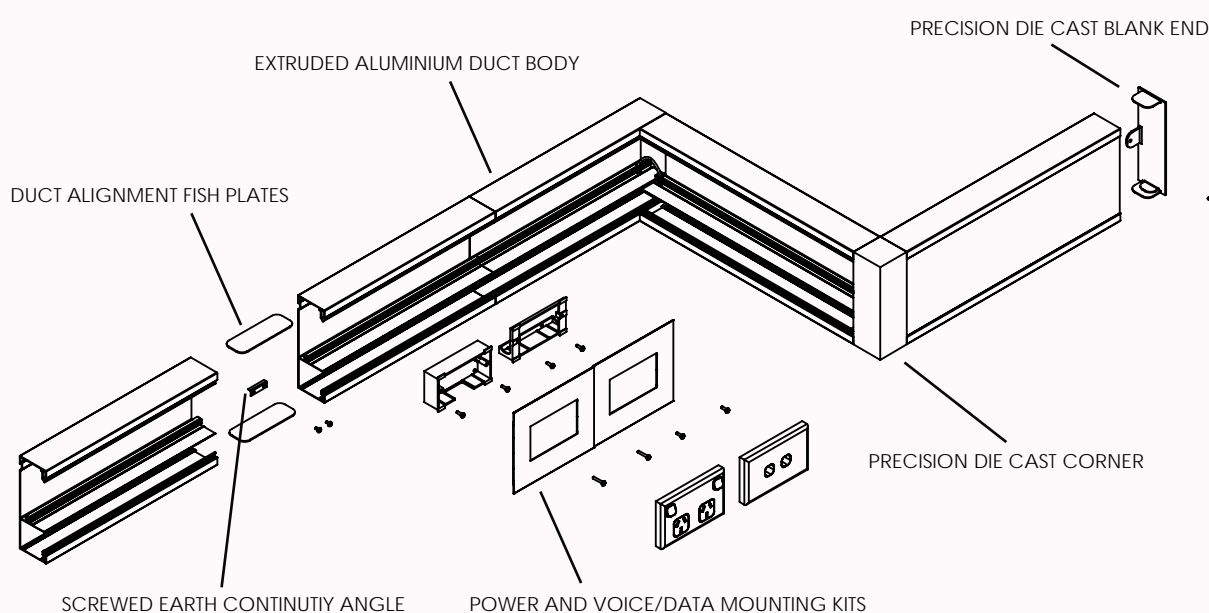
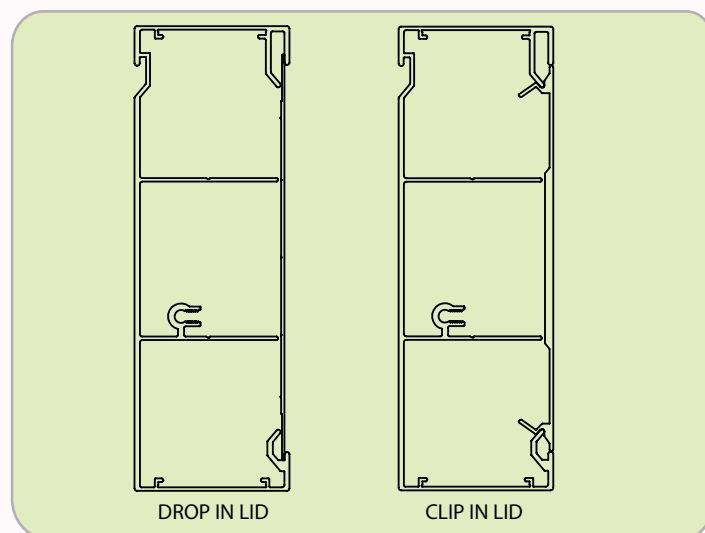
Cableaway's skirting duct is also able to handle Audio and Visual cables using Cableaway's 45 series multimedia outlets making it easier than ever to adapt microphone jacks, HDMI, VGA, component and much more.

## FEATURES:

- Extruded aluminium body
- Diecast blank ends
- Diecast corners
- Centre mounting of outlets
- Suitable for CAT 5,6 and 6A data cables
- GPO mounting kit
- Data mounting kit
- Available with drop in or clip in lid section
- Continuous earthing system
- Easy installation
- Hanging recess (for installation above floor level)



# SD501503DIV SERIES SKIRTING DUCT



## **Suggested Specification:**

Contractor shall supply Cableaway SD series skirting duct (to the nominated size, division and lid type). The skirting duct will be of aluminium construction complete with divisional barrier to separate power and data. Purpose made mounting kits for power and data shall be used. Skirting duct will be installed to the manufacturers specification using Cableaway's continuous earthing system.

### **Description:**

Skirting duct Body (2.4m length)  
 Drop in Lid section (1.2m length)  
 Clip in lid section (1.2m length)  
 Corner kit  
 Blank end  
 Front cover GPO and Data kit (drop in lid)  
 Front cover GPO and Data kit (clip in lid)  
 GPO shroud kit  
 Data shroud kit  
 Earth continuance plate and alignment plates  
 Internal butt join earthing kit

### **Part Number:**

**SDT50150(S)**  
**SDDL150(S)**  
**SDCL150(S)**  
**SDCNR50150(S)**  
**SDBE50150(S)**  
**SDDFC150(S)**  
**SDFC150(S)**  
**SDPSK**  
**SDDMK**  
**SDJK50**  
**SDIEK**

### **Standard Colours:**

**Anodised Natural**  
**Black**  
**Pearl White**

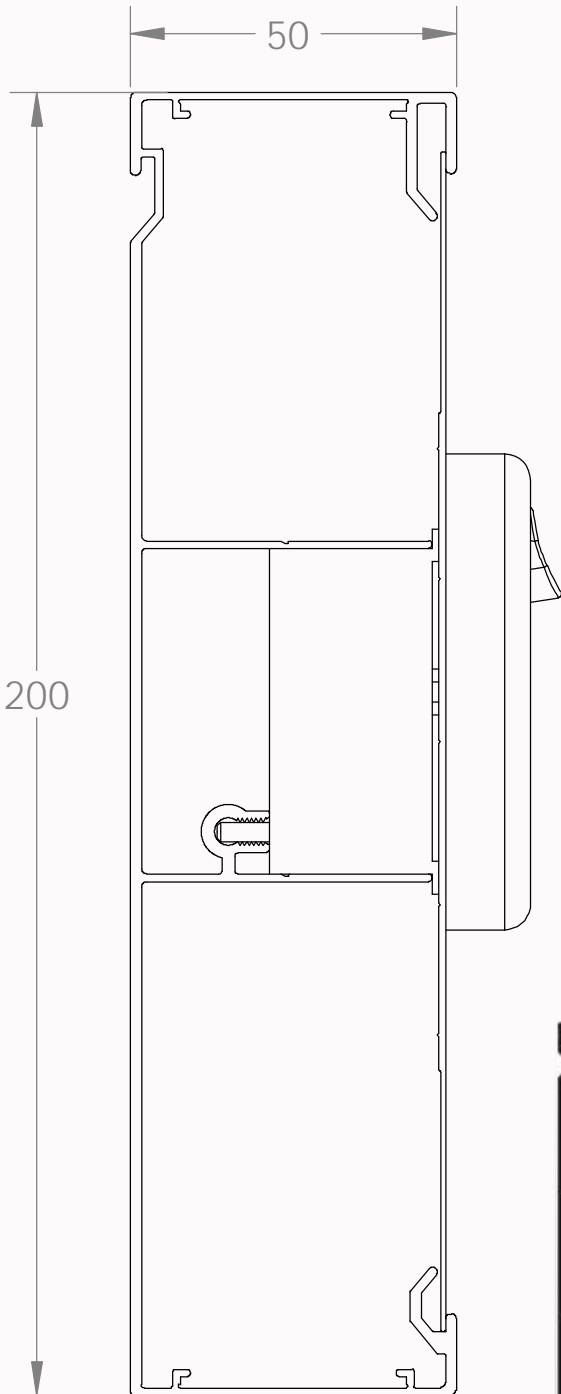
### **(S) Suffix:**

**A**  
**B**  
**W**

# SD502003DIV SERIES SKIRTING DUCT



BETTER CABLE MANAGEMENT



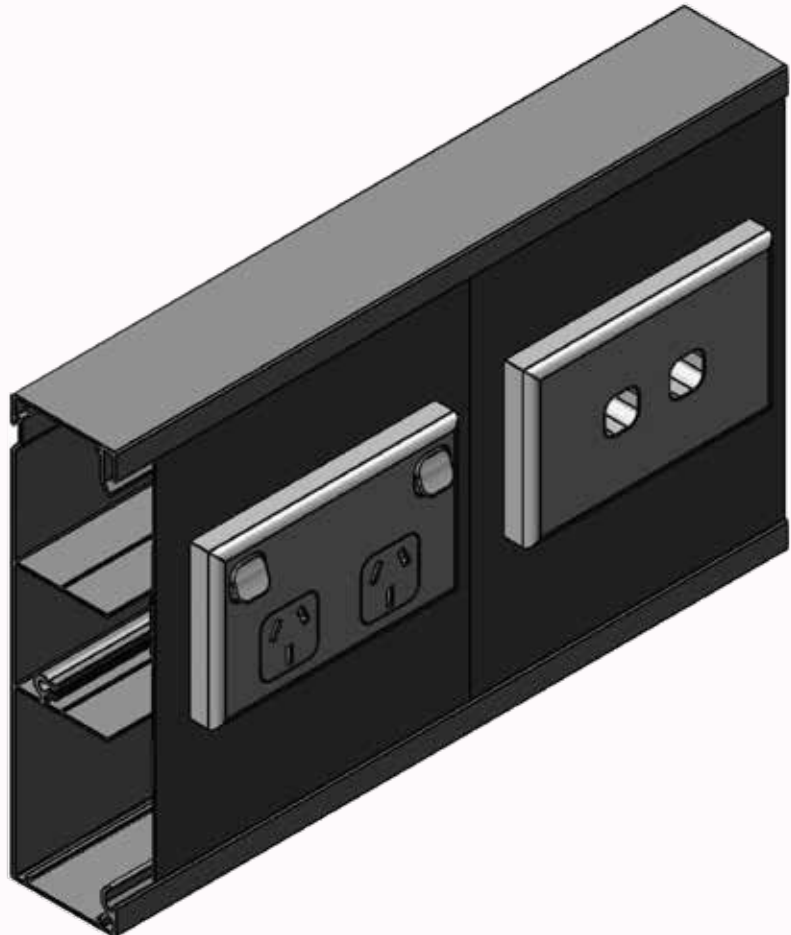
Cableaway's skirting duct range is by far the easiest way for housing and distribution of power and data cabling, from large commercial offices to the small home office.

Cableaway's 50mm x 200mm x 3 division skirting duct is perfect for the reticulation and mounting of power, Cat 5, Cat 6 and Cat 6A data cabling.

Cableaway's skirting duct is also able to handle Audio and Visual cables using Cableaway's 45 series multimedia outlets making it easier than ever to adapt microphone jacks, HDMI, VGA, component and much more.

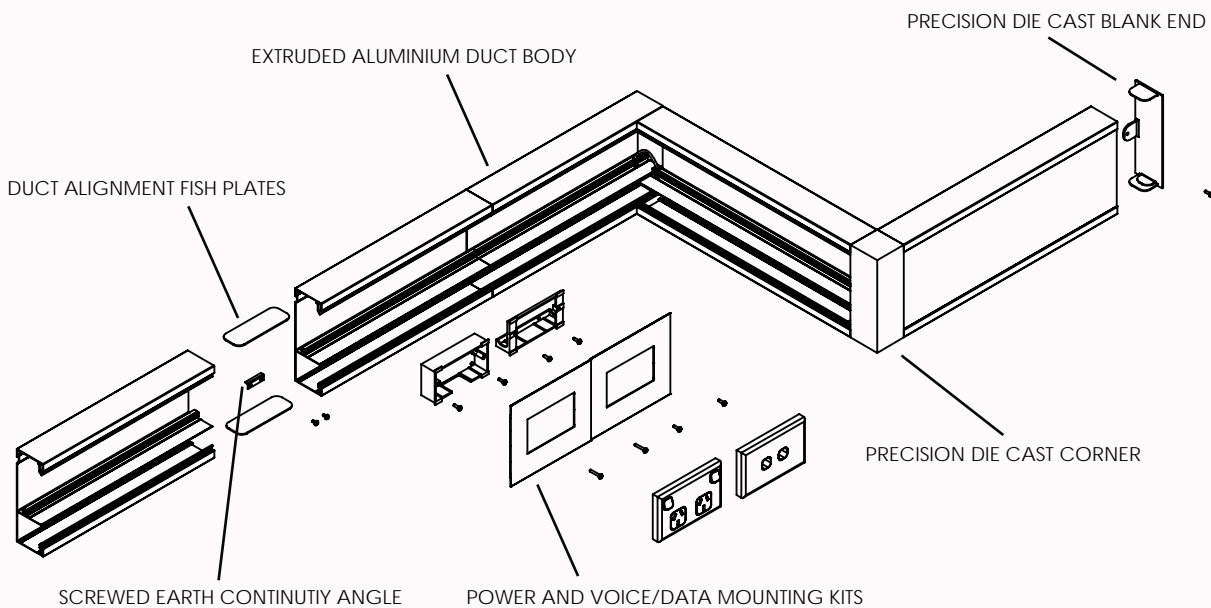
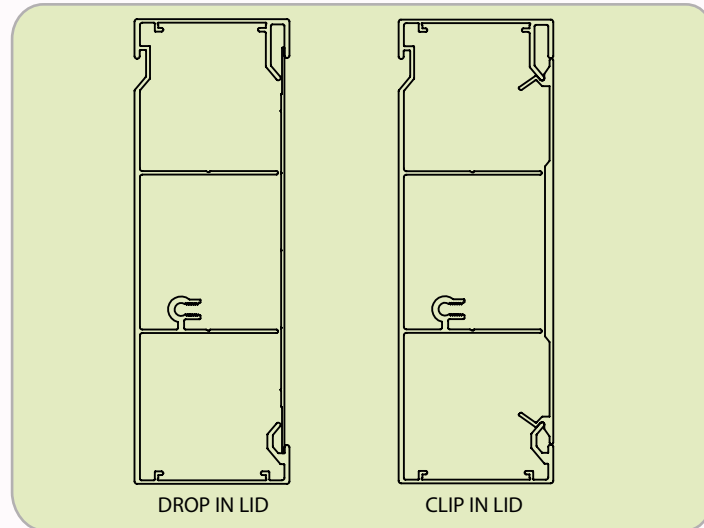
## FEATURES:

- Extruded aluminium body
- Diecast blank ends
- Diecast corners
- Centre mounting of outlets
- Suitable for CAT 5,6 and 6A data cables
- GPO mounting kit
- Data mounting kit
- Available with drop in or clip in lid section
- Continuous earthing system
- Easy installation
- Hanging recess (for installation above floor level)





# SD502003DIV SERIES SKIRTING DUCT



## **Suggested Specification:**

Contractor shall supply Cableaway SD series skirting duct (to the nominated size, division and lid type). The skirting duct will be of aluminium construction complete with divisional barrier to separate power and data. Purpose made mounting kits for power and data shall be used. Skirting duct will be installed to the manufacturers specification using Cableaway's continuous earthing system.

### **Description:**

Skirting duct Body (2.4m length)  
 Drop in Lid section (1.2m length)  
 Clip in lid section (1.2m length)  
 Corner kit  
 Blank end  
 Front cover GPO and Data kit (drop in lid)  
 Front cover GPO and Data kit (clip in lid)  
 GPO shroud kit  
 Data shroud kit  
 Earth continuance plate and alignment plates  
 Internal butt join earthing kit

### **Part Number:**

**SD50200(S)**  
**SDDL200(S)**  
**SDCL200(S)**  
**SDCNR50200(S)**  
**SDBE50200S)**  
**SDDFC200(S)**  
**SDCFC200(S)**  
**SDPSK**  
**SDDMK**  
**SDJK50**  
**SDIEK**

### **Standard Colours:**

**Anodised Natural**  
**Black**  
**Pearl White**

### **(S) Suffix:**

**A**  
**B**  
**W**



BETTER CABLE MANAGEMENT

Address: Unit 8 / 15 McPherson Road Smeaton Grange NSW 2567  
Phone: 02 8006 4244 Fax: 02 4647 2050  
E-mail: [sales@cableaway.com.au](mailto:sales@cableaway.com.au)  
Web : [www.cableaway.com.au](http://www.cableaway.com.au)